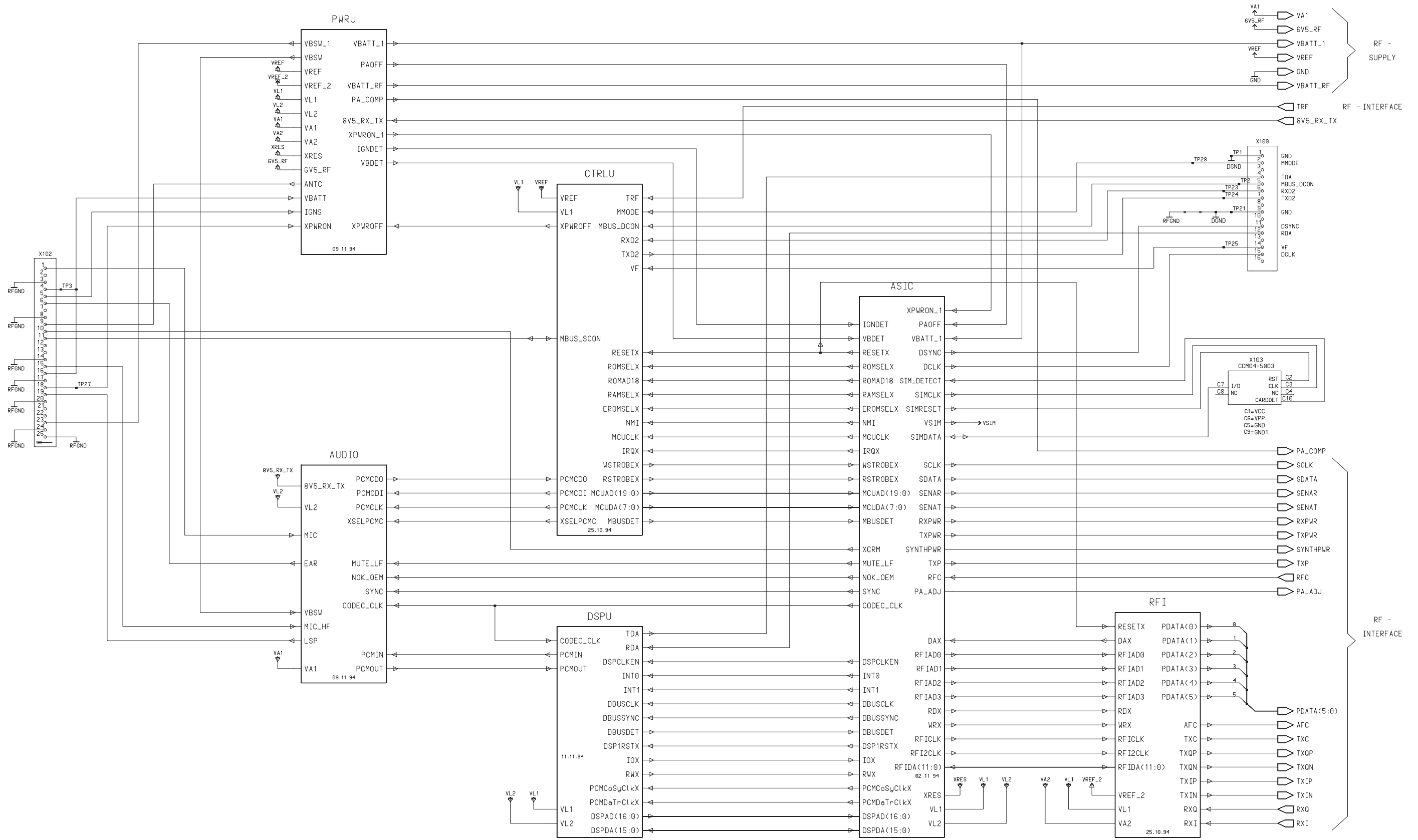


Block Diagram of Baseband (Version: 1 Edit: 192)



X100 - 102